

THT OCXO-50

SERIES "OCXO" - Oven controlled crystal oscillator

FEATURES

- + High reliability for low cost
- + Aging of ± 0.001 ppm/day in compact package using SC-CUT crystals
- + Extended temperature range to $-40/+75^{\circ}\text{C}$ available
- + Short warm-up time and excellent retrace behaviour
- + Low power consumption and excellent phase noise parameters
- + AT-cut and SC-cut based designs



PB FREE / ROHS-2 2011/65/EU COMPLIANT

GENERAL DATA

PARAMETERS		PRODUCT FEATURES AND CONDITIONS
SERIES		OCXO-50
PACKAGE		50.8 x 50.8 x 24 mm ³
FREQUENCY RANGE		10.0 ~ 50.0 MHz
FREQUENCY ACCURACY		± 0.2 ppm (control voltage centered)
FREQUENCY STABILITY	VS. AGING AT-CUT	± 0.002 ppm/day / ± 0.2 ppm/first year / ± 2 ppm/10 years
	VS. AGING SC-CUT	± 0.001 ppm/day / ± 0.1 ppm/first year / ± 0.35 ppm/10 years
	VS. LOAD	± 0.002 ppm / load change of ± 10 %
	VS. SUPPLY VOLTAGE	± 0.002 ppm / supply voltage changement of ± 5 %
	VS. TEMPERATURE	See table 1
SHORT TERM STABILITY		1x10E-11/s (10 MHz SC)
OPERATING TEMPERATURE RANGE		0/+50°C ~ -40/+75°C
STORAGE TEMPERATURE RANGE		-40/+100°C
SUPPLY VOLTAGE		+5.0VDC ± 5 % / +12VDC ± 5 %
CURRENT CONSUMPTION		5.0W max. during warm-up / 2.0W max. when static
WARM-UP TIME	AT-CUT	± 0.2 ppm <5 minutes
	SC-CUT	± 0.1 ppm <5 minutes
FREQUENCY CONTROL RANGE	AT-CUT	± 3.0 ppm
	SC-CUT	± 0.7 ppm
CONTROL VOLTAGE		0 ~ 5 VDC
SLOPE		POSITIVE
LINEARITY		± 10 %
PHASE NOISE	10 Hz	-120 dBc/Hz
	100 Hz	-140 dBc/Hz
	1 kHz	-145 dBc/Hz
	10 kHz	-150 dBc/Hz
OUTPUT SIGNAL AND LOAD CHARACTERISTICS		See table 2
OTHER PARAMETERS ARE AVAILABLE ON REQUEST / CREATE HERE YOUR SPECIFICATION		

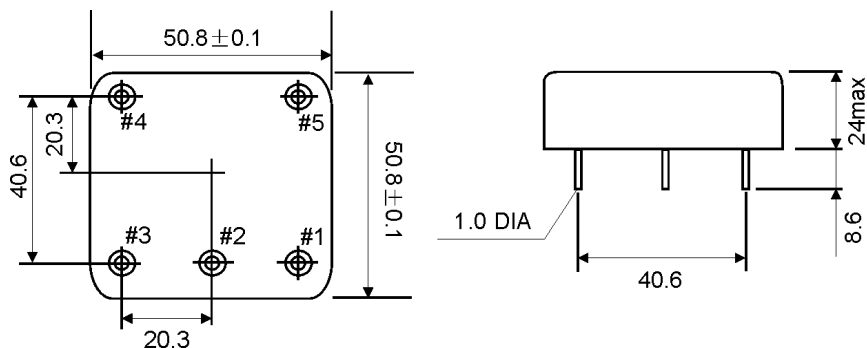
TABLE 1- FREQUENCY STABILITY VS. TEMPERATURE

CODE	FREQUENCY STABILITY VS. TEMPERATURE	TEMPERATURE RANGE
A	±30ppb for AT-CUT	0/+50°C
B	±10ppb for SC-CUT	0/+50°C
C	±100ppb for AT-CUT	-20/+70°C
D	±30ppb for SC-CUT	-20/+70°C
E	±500ppb for AT-CUT	-40/+75°C
F	±100ppb for SC-CUT	-40/+75°C

TABLE 2 - OUTPUT WAVEFORM AND LOAD CHARACTERISTICS

OUTPUT WAVE-FORM	OUTPUT TYPE CODE	FREQUENCY RANGE	OSCILLATION STATE	OUTPUT CHARACTERISTICS
SINE WAVE	S	10.0 ~ 50.0 MHz		Load: 50 Ω Output level: >2dBm Harmonic : < -25dBm Noise Suppression: <- 75dBm
HCMOS	H	10.0 ~ 50.0 MHz		Load: 15PF TYP/50 PF Max. available "1" level: > 0.9VDD; "0" level: <0.1VDD Duty cycle: 45/55 Rise/fall time: <6ns(fn<40MHz) <3ns(fn>40 MHz)
LVC MOS	L	10.0 ~ 50.0 MHz		Load: 15PF TYP/50 PF Max. available "1" level: > 0.9VDD; "0" level: <0.1VDD Duty cycle: 45/55 Rise/fall time: <6ns(fn<40MHz) <3ns(fn>40 MHz)

OUTLINE DRAWING

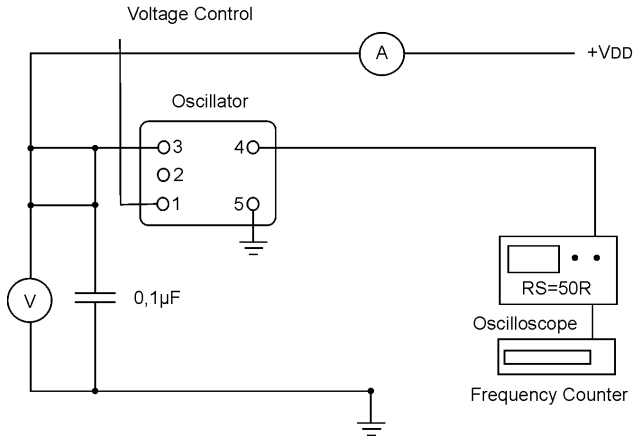


PIN	Connection
#1	Voltage Control
#2	Reference Voltage/NC
#3	Output
#4	Ground
#5	Power Supply

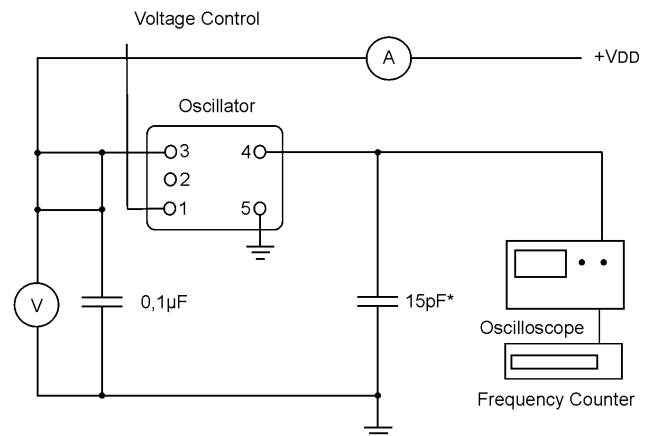
Note: Lead-Kovar
Finish - Ni Plated
Unit:mm

TEST CURCUIT

SINE WAVE



HCMOS/LVCMOS



*inclusive of jigging and equipment capacitance

ORDERING INFORMATION

TYPE
 "OC" = OCXO

FREQUENCY
 STABILITY
 SEE TABLE 1

FREQUENCY
 RANGE
 SEE TABLE 2

OC-50-5-A-10.000MHz-S

PACKAGE SIZE
 "14" - 20.8X13.2 MM
 "20" - 20.5X20.5 MM
 "25" - 25.4X25.4 MM
 "36" - 36.0X27.0 MM
 "50" - 50.8X50.8 MM

VOLTAGE
 "3" = 3.3V
 "5" = 5.0V
 "12" = 12.0V

OUTPUT
 WAVEFORM
 "S" = SINE WAVE
 "H" = HCMOS
 "L" = LVCMOS

EXAMPLE: OC-50-5-A-10.000MHz-S

PLEASE INDICATE YOUR REQUIRED PARAMETERS



PREMIUM QUALITY BY PETERMANN-TECHNIK



OUR COMPANY IS CERTIFIED ACCORDING TO ISO 9001:2015 IN OCTOBER 2016 BY THE DMSZ CERTIFIKATION GMBH.

THIS IS FOR YOU TO ENSURE THAT THE PRINCIPLES OF QUALITY MANAGEMENT ARE FULLY IMPLEMENTED IN OUR QUALITY MANAGEMENT SYSTEM AND QUALITY CONTROL METHODS ALSO DOMINATE OUR QUALITY STANDARDS.